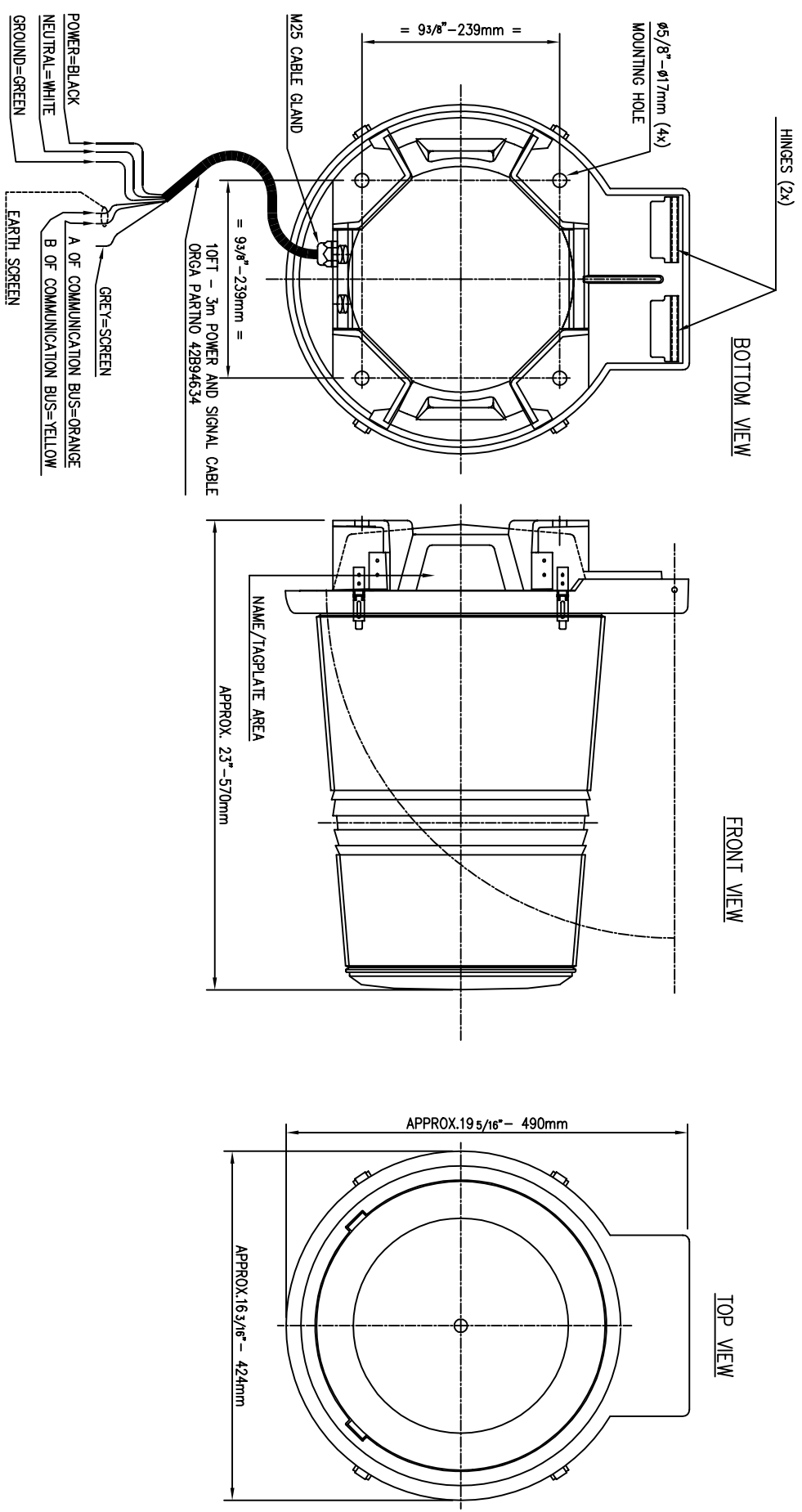


L303-865 / L303-866

STANDARD : AC 150/5354-43E and ICAO  
 ANNEX 14 CHAPTER 6 TYPE A  
 EXECUTION : NA  
 EX. CERTIFICATE : NA  
 IP DEGREE : 67 (DESIGN)  
 WEIGHT APPROX : 26.5 Lbs / 12kg  
 MATERIAL : PUR  
 COLOUR : RAL9010

NOTE: CLEARANCE OF AT LEAST 26" - 650mm  
 IS REQUIRED ON THE BACK (HINGE) SIDE OF  
 THE LANTERN TO OPEN THE LENS



Rev.	Date	Checked	Remarks	Drawn: RD	Date: 24.08.2000	Client ref.:	Client:	Project n.:	Drawing n.:
0	28.02.2002			Checked:	Date:	White flashing med. int. areo. obstr. light	Client:	Project n.:	Drawing n.:
1				Scale: 1:5					
2				Sheet: 1 of: 1					
3									
4				ARRANGEMENT DRAWING		All rights of design or invention are reserved			



L303-865