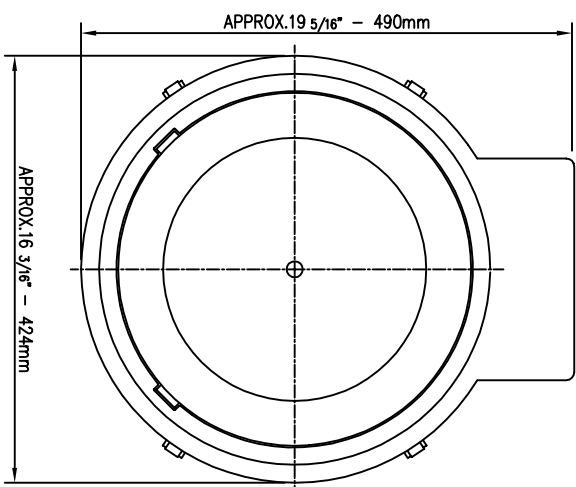
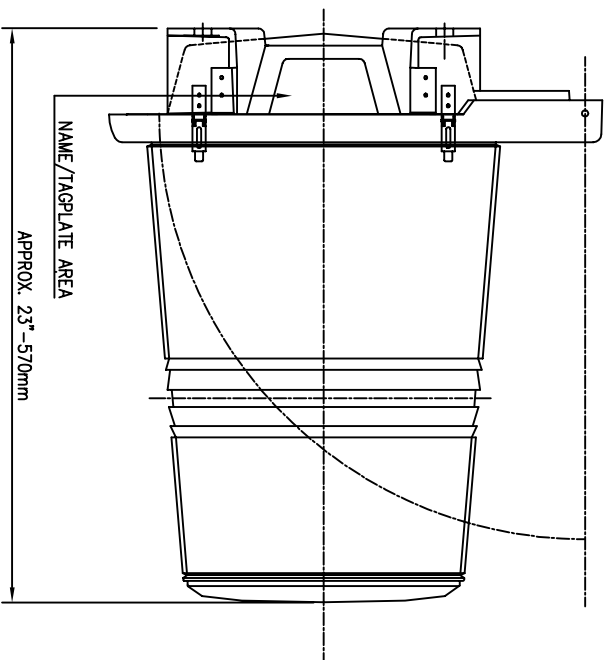
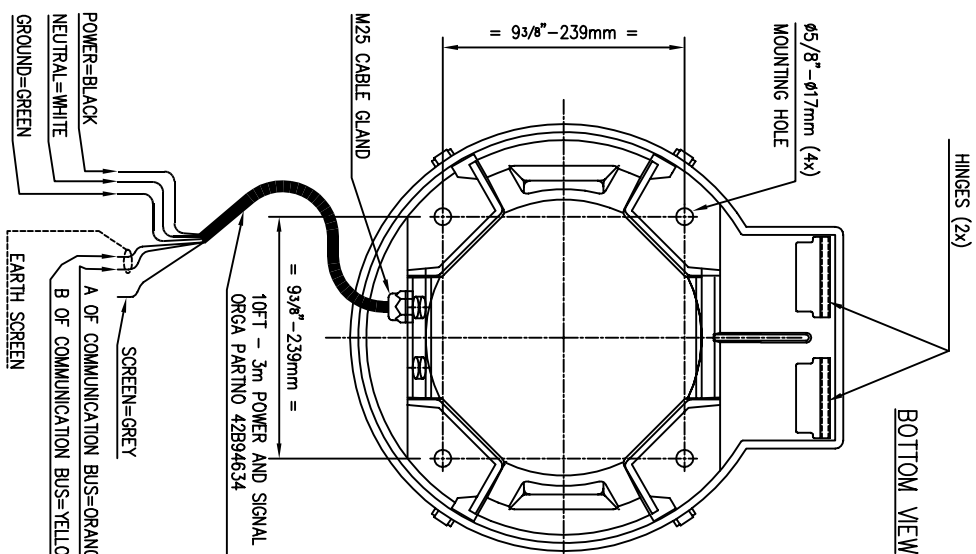


L303-864 / L303-865

STANDARD : AC 150/5354-43E and ICAO
 ANNEX 14 CHAPTER 6 TYPE A/B
 EXECUTION : NA
 EX. CERTIFICATE : NA
 IP DEGREE : 67 (DESIGN)
 WEIGHT APPROX : 26.5 Lbs / 12kg
 MATERIAL : PUR
 COLOUR : RAL9010

NOTE: CLEARANCE OF AT LEAST 26" - 650mm
 IS REQUIRED ON THE BACK (HINGE) SIDE OF
 THE LANTERN TO OPEN THE LENS



Rev.	Date	Checked	Remarks	Drawn:	RD	Date:	24.08.2000	Client ref.:	Dual flashing med. int. areo. obstr. light	Project nr.:	Client:	Drawing nr.:
0	28.02.2002			Checked:		Date:						
1				Scale:	1:5							
2				Sheet:	1 of 1							
3				ARRANGEMENT DRAWING								
4				All rights of design or invention are reserved								



L303-864 dual