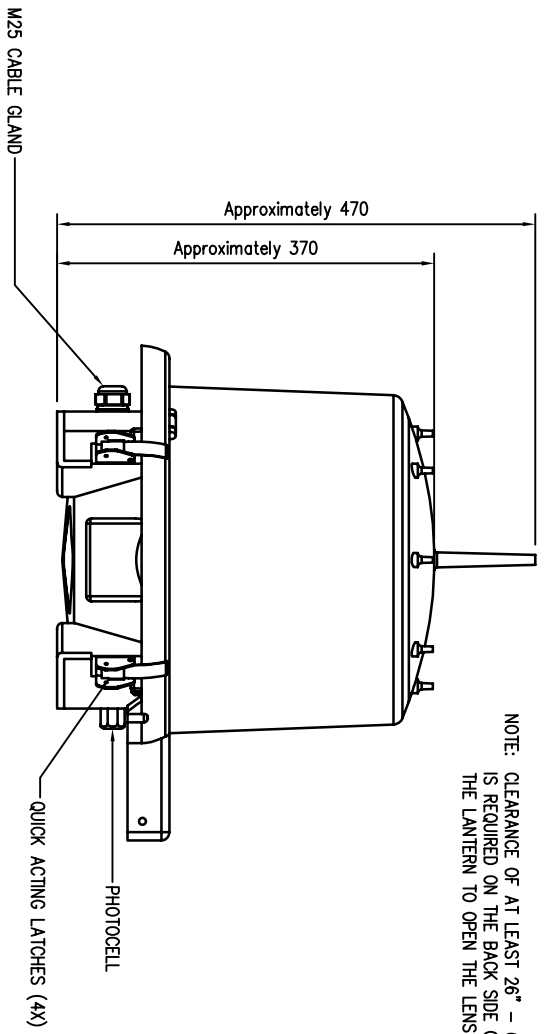
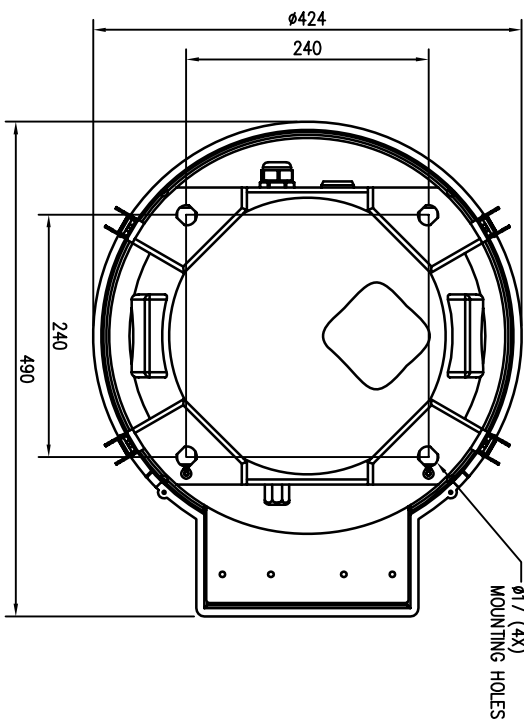
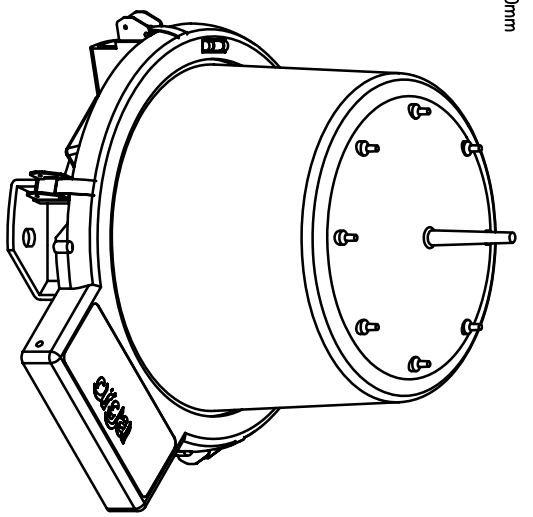


Rev.	Date	Checked	Remarks	Drawn:	RVG	Date:	05.11.2004	Client ref.:	
0	05.11.2004	EDV		Checked:	EDV	Date:	05.11.2004		
1	29.12.2004		For information	Scale:	1:5				
2				Sheet:	1 of 1				
3									
4									



NOTE: CLEARANCE OF AT LEAST 26" - 650mm IS REQUIRED ON THE BACK SIDE OF THE LANTERN TO OPEN THE LENS



MED. INTENSITY LED OBST. LIGHT
 TYPE: L340-XXX
 Client:

ORGA
 Sittledammweg 13
 3175 AT Sittledam - Hildfeld
 P.O. Box 306
 3101 EA Sittledam
 Telephone: +31(0)11-4515133
 Fax: +31(0)11-4515133
 Telefax: +31(0)11-457 84 45

Project nr.: L340-XXX
 Drawing nr.: L340-XXX