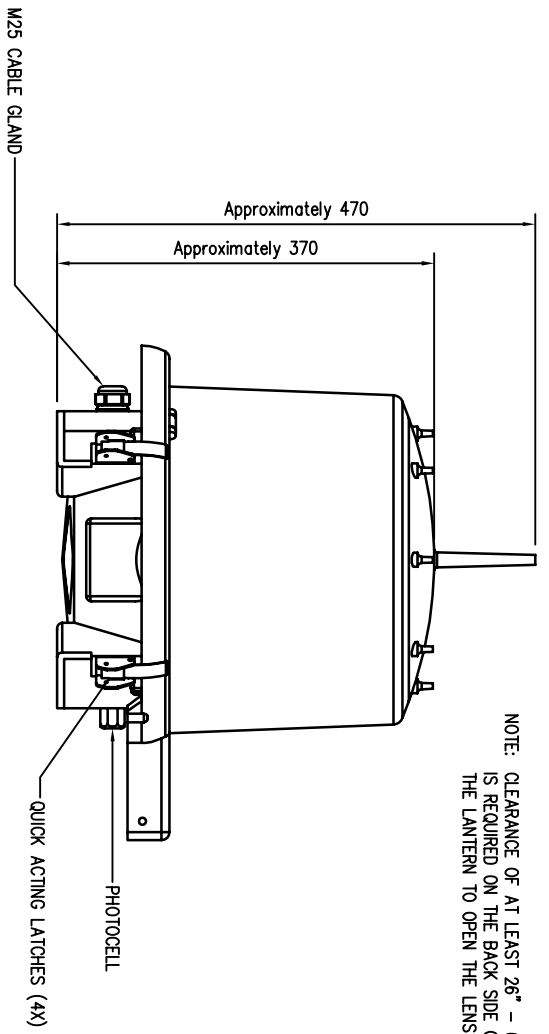
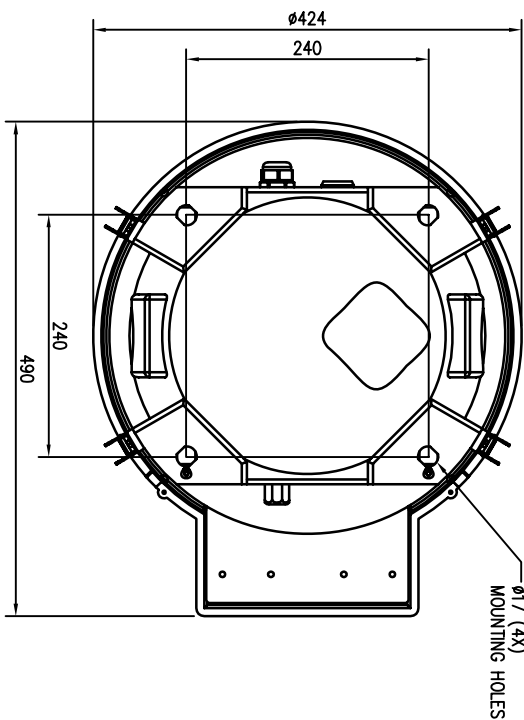


Rev.	Date	Checked	Remarks
0	05.11.2004		For information
1			
2			
3			
4			

Drawn: RVG	Date: 05.11.2004	Client ref.:
Checked: EDV	Date: 05.11.2004	
Scale: 1:5		
Sheet: 1 of 1		

Arrangement drawing	All rights of design or invention are reserved	Client:
		MED. INTENSITY LED OBST. LIGHT TYPE: L350-XXX

Project n.:	Drawing n.:
	L350-XXX



NOTE: CLEARANCE OF AT LEAST 28" - 650mm IS REQUIRED ON THE BACK SIDE OF THE LANTERN TO OPEN THE LENS

